

# **OCTAFORM<sup>®</sup>**

**START WITH QUALITY**

## **ARROWHEAD<sup>™</sup>** CONCRETE COLUMN RESTORATION

PVC jacking system that reinforces and restores columns and protects from corrosion.

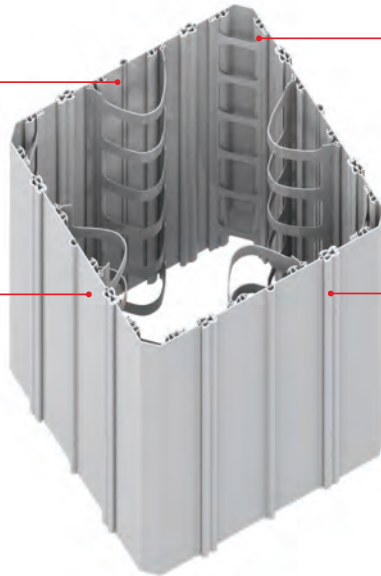
# OCTAFORM® ARROWHEAD

## CONCRETE

New concrete gives added strength and extends the life of existing structures for years to come.

## PVC JACKET

Protects marine piles and bridge columns from corrosive environments. OCTAFORM PVC meets the strict sanitation standard set by the CFIA. The flexibility of PVC prevents cracking and water penetration issues found in conventional fiberglass jackets.



## COMPLIANT BRACING

Flexible bracing allows for a precise fit on heavily corroded columns.

## CONNECTORS

Unique design makes the closing procedure quick and easy. Seams zip together with specialty tool for fast installation without bolts.



RENEW  
PROTECT  
EXTEND

OCTAFORM SYSTEMS, INC.

+1 604-408-0558 ○ 520 -885 DUNSMUIR ST, VANCOUVER, BC, V6C 1N5  
INFO@OCTAFORM.COM ○ WWW.OCTAFORM.COM

