



# OCTAFORM®

START WITH QUALITY

## FORMWORK™

PVC STAY-IN-PLACE FORMING SYSTEM

PVC stay-in-place concrete forming system that is ideal for the construction of high performance structures.

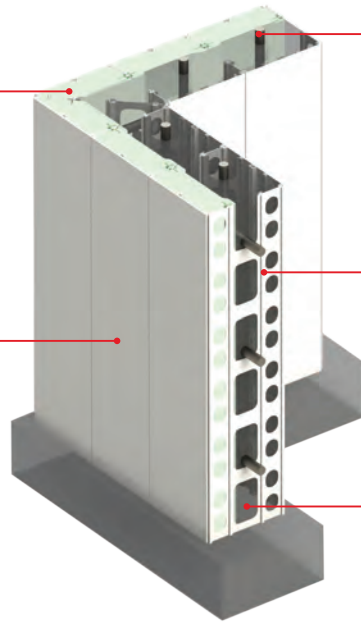
# OCTAFORM® FORMWORK

## INSULATION

Thermal mass of concrete, air tightness, added EPS insulation provides excellent R-values (R22-R40).

## FLAT PANEL

Protects the concrete from harsh chemicals and corrosive environments. Octaform PVC meets the strict sanitation standard set by the CFIA.



## REBAR

Uses standard rebar. Compatible with helix and other composite rebar systems. As specified by your engineer.

## CONNECTOR

Swappable connectors are available for walls 2-24" thick.

## CONCRETE

Compatible with all standard concrete formulations. The system requires vibrating as specified and is poured in 4' lifts.



FORM

FILL

FINISH

## OCTAFORM SYSTEMS, INC.

+1 604-408-0558 ○ 520 -885 DUNSMUIR ST, VANCOUVER, BC, V6C 1N5  
INFO@OCTAFORM.COM ○ WWW.OCTAFORM.COM

